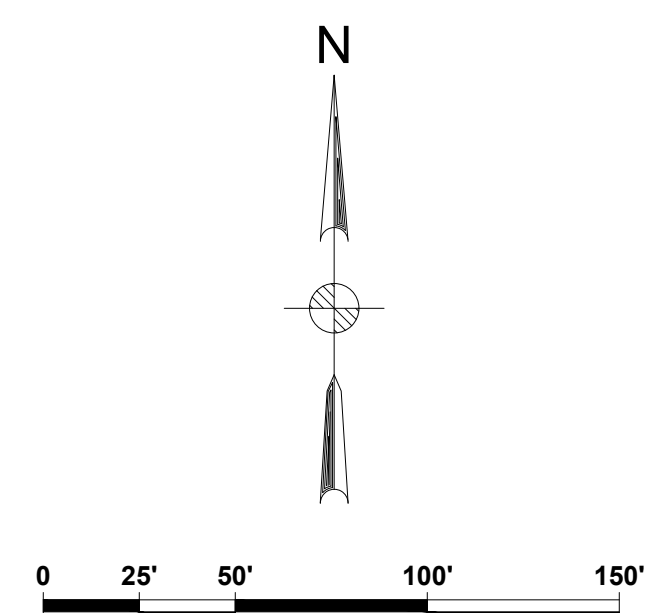


Access Road 06
 Approach Lanes: 2
 Approaching Speed Limit: 55 mph
 Traffic Control Devices: None
 Stopping Sight Distance:
 NB/EB >495' SB/WB >495'

Legend

	1300	EXISTING MAJOR CONTOUR
		EXISTING MINOR CONTOUR
		PROPOSED ACCESS ROAD



Rev	Date	Drawn	Description	Ch'k'd	App'd
A	07/23/2021	AH	ISSUED FOR REVIEW	JAS	RA

M M
MOTT MACDONALD

101 Station Drive
 Suite 130
 Westwood, MA 02090
 United States
T +1 (781) 915-0015
F +1 (781) 915-0001
W www.mottmac.com

Client

Title
**SOUTH RIPLEY SOLAR
 EXHIBIT 16
 INTERSECTION SIGHT DISTANCE
 AR-06**

PRELIMINARY NOT FOR CONSTRUCTION REPLACE WITH ENGINEERS STAMP AT CONSTRUCTION AND/OR FABRICATION	Designed	JAS	Eng check	JWL
	Drawn	AH	Approved	RA
	Dwg check		Project Mngr	
	Scale at ANSI D		Date	Rev
	1" = 50'		07/23/2021	A
Drawing Number		SRS-ISD-AR-06		

© Mott MacDonal
 It is a violation of New York state Education Law for any person, unless acting under the direction of a licensed engineer to alter this document in any way.
 This document is issued for the party which commissioned it and for specific purposes connected with the captioned project only. It should not be relied upon by any other party or used for any other purpose.
 We accept no responsibility for the consequences of this document being relied upon by any other party, or being used for any other purpose, or containing any error or omission which is due to an error or omission in data supplied to us by other parties.

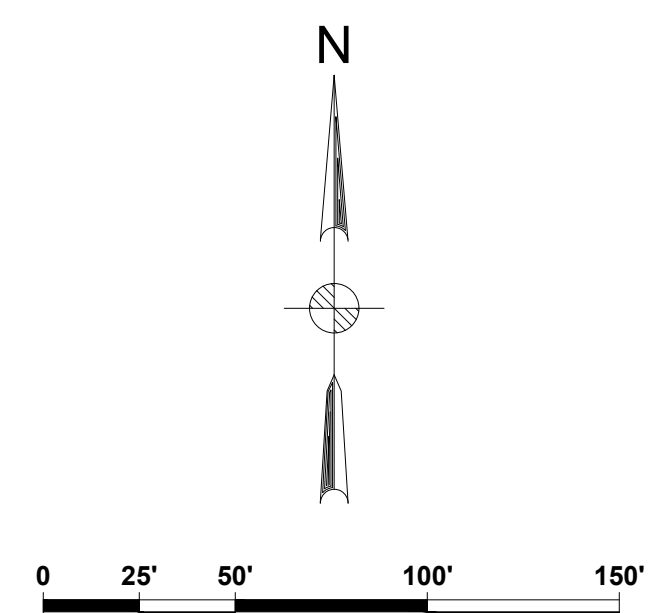
CONCEPTUAL - NOT FOR CONSTRUCTION



Access Road 07
 Approach Lanes: 2
 Approaching Speed Limit: 55 mph
 Traffic Control Devices: None
 Stopping Sight Distance:
 NB/EB >495' SB/WB >495'

Legend

	1300	EXISTING MAJOR CONTOUR
		EXISTING MINOR CONTOUR
		PROPOSED ACCESS ROAD



Rev	Date	Drawn	Description	Ch'k'd	App'd
A	07/23/2021	AH	ISSUED FOR REVIEW	JAS	RA

M M
MOTT MACDONALD

101 Station Drive
 Suite 130
 Westwood, MA 02090
 United States
 T +1 (781) 915-0015
 F +1 (781) 915-0001
 W www.mottmac.com

Client

Title
**SOUTH RIPLEY SOLAR
 EXHIBIT 16
 INTERSECTION SIGHT DISTANCE
 AR-07**

PRELIMINARY NOT FOR CONSTRUCTION REPLACE WITH ENGINEERS STAMP AT CONSTRUCTION AND/OR FABRICATION	Designed	JAS	Eng check	JWL
	Drawn	AH	Approved	RA
	Dwg check		Project Mngr	
	Scale at ANSI D 1" = 50'	Date	07/23/2021	Rev A
Drawing Number		SRS-ISD-AR-07		

© Mott MacDonald
 It is a violation of New York state Education Law for any person, unless acting under the direction of a licensed engineer to alter this document in any way.
 This document is issued for the party which commissioned it and for specific purposes connected with the captioned project only. It should not be relied upon by any other party or used for any other purpose.
 We accept no responsibility for the consequences of this document being relied upon by any other party, or being used for any other purpose, or containing any error or omission which is due to an error or omission in data supplied to us by other parties.

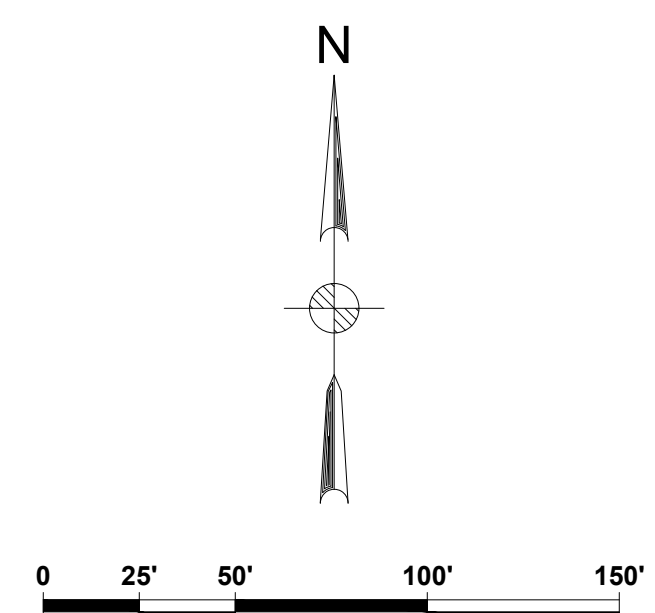
CONCEPTUAL - NOT FOR CONSTRUCTION



Access Road 08-1
 Approach Lanes: 2
 Approaching Speed Limit: 55 mph
 Traffic Control Devices: None
 Stopping Sight Distance:
 NB/EB >495' SB/WB >495'

Legend

	1300	EXISTING MAJOR CONTOUR
		EXISTING MINOR CONTOUR
		PROPOSED ACCESS ROAD



Rev	Date	Drawn	Description	Ch'k'd	App'd
A	07/23/2021	AH	ISSUED FOR REVIEW	JAS	RA

M M
MOTT MACDONALD

101 Station Drive
 Suite 130
 Westwood, MA 02090
 United States
 T +1 (781) 915-0015
 F +1 (781) 915-0001
 W www.mottmac.com

Client

Title
**SOUTH RIPLEY SOLAR
 EXHIBIT 16
 INTERSECTION SIGHT DISTANCE
 AR-08**

PRELIMINARY NOT FOR CONSTRUCTION REPLACE WITH ENGINEERS STAMP AT CONSTRUCTION AND/OR FABRICATION	Designed	JAS	Eng check	JWL
	Drawn	AH	Approved	RA
	Dwg check		Project Mngr	
	Scale at ANSI D 1" = 50'	Date	07/23/2021	Rev A
Drawing Number		SRS-ISD-AR-08-1		

© Mott MacDonald
 It is a violation of New York state Education Law for any person, unless acting under the direction of a licensed engineer to alter this document in any way.
 This document is issued for the party which commissioned it and for specific purposes connected with the captioned project only. It should not be relied upon by any other party or used for any other purpose.
 We accept no responsibility for the consequences of this document being relied upon by any other party, or being used for any other purpose, or containing any error or omission which is due to an error or omission in data supplied to us by other parties.

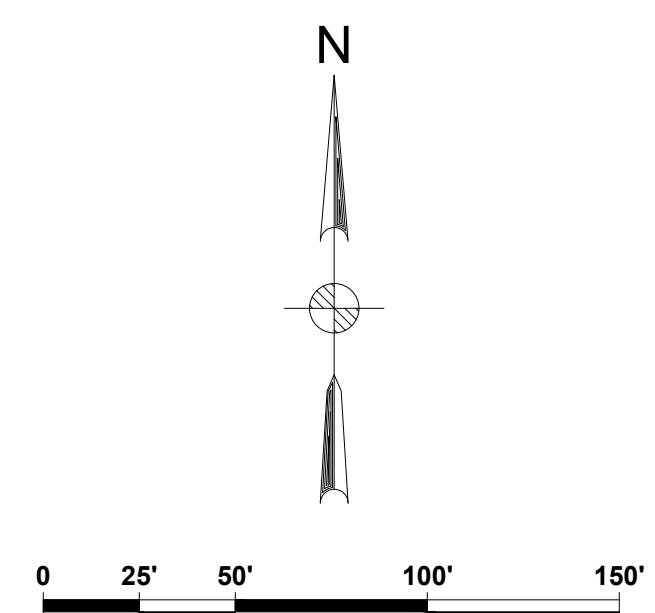
CONCEPTUAL - NOT FOR CONSTRUCTION



Access Road 08-2
 Approach Lanes: 2
 Approaching Speed Limit: 55 mph
 Traffic Control Devices: None
 Stopping Sight Distance:
 NB/EB >495' SB/WB >495'

Legend

	1300	EXISTING MAJOR CONTOUR
		EXISTING MINOR CONTOUR
		PROPOSED ACCESS ROAD



Rev	Date	Drawn	Description	Ch'k'd	App'd
A	07/23/2021	AH	ISSUED FOR REVIEW	JAS	RA

M M
MOTT MACDONALD

101 Station Drive
 Suite 130
 Westwood, MA 02090
 United States
T +1 (781) 915-0015
F +1 (781) 915-0001
W www.mottmac.com

Client

Title
**SOUTH RIPLEY SOLAR
 EXHIBIT 16
 INTERSECTION SIGHT DISTANCE
 AR-08**

PRELIMINARY NOT FOR CONSTRUCTION REPLACE WITH ENGINEERS STAMP AT CONSTRUCTION AND/OR FABRICATION	Designed	JAS	Eng check	JWL
	Drawn	AH	Approved	RA
	Dwg check		Project Mngr	
	Scale at ANSI D		Date	Rev
	1" = 50'	07/23/2021		A
Drawing Number		SRS-ISD-AR-08-2		

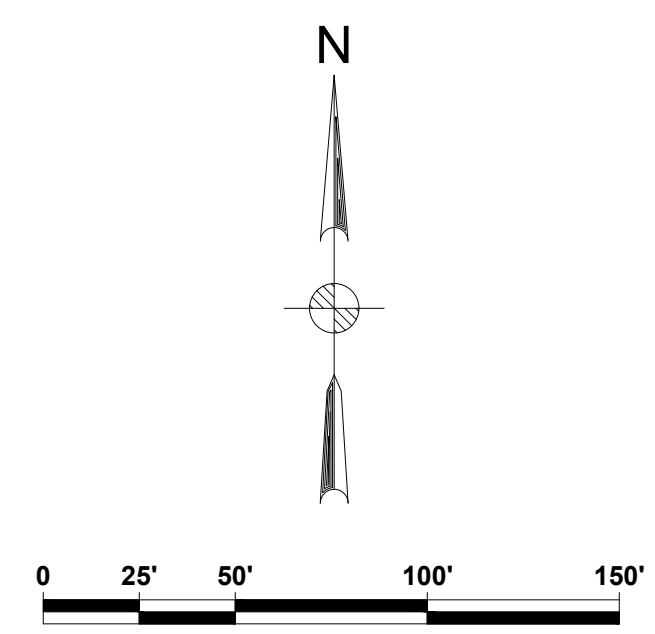
© Mott MacDonald
 It is a violation of New York state Education Law for any person, unless acting under the direction of a licensed engineer to alter this document in any way.
 This document is issued for the party which commissioned it and for specific purposes connected with the captioned project only. It should not be relied upon by any other party or used for any other purpose.
 We accept no responsibility for the consequences of this document being relied upon by any other party, or being used for any other purpose, or containing any error or omission which is due to an error or omission in data supplied to us by other parties.

CONCEPTUAL - NOT FOR CONSTRUCTION



Legend

	1300	EXISTING MAJOR CONTOUR
		EXISTING MINOR CONTOUR
		PROPOSED ACCESS ROAD



Rev	Date	Drawn	Description	Ch'k'd	App'd
A	07/23/2021	AH	ISSUED FOR REVIEW	JAS	RA

M M
MOTT MACDONALD

101 Station Drive
 Suite 130
 Westwood, MA 02090
 United States
 T +1 (781) 915-0015
 F +1 (781) 915-0001
 W www.mottmac.com

Client

Title
**SOUTH RIPLEY SOLAR
 EXHIBIT 16
 INTERSECTION SIGHT DISTANCE
 AR-09**

PRELIMINARY NOT FOR CONSTRUCTION REPLACE WITH ENGINEERS STAMP AT CONSTRUCTION AND/OR FABRICATION	Designed	JAS	Eng check	JWL
	Drawn	AH	Approved	RA
	Dwg check		Project Mngr	
	Scale at ANSI D		Date	Rev
	1" = 50'		07/23/2021	A
Drawing Number		SRS-ISD-AR-09		

© Mott MacDonald
 It is a violation of New York state Education Law for any person, unless acting under the direction of a licensed engineer to alter this document in any way.
 This document is issued for the party which commissioned it and for specific purposes connected with the captioned project only. It should not be relied upon by any other party or used for any other purpose.
 We accept no responsibility for the consequences of this document being relied upon by any other party, or being used for any other purpose, or containing any error or omission which is due to an error or omission in data supplied to us by other parties.

CONCEPTUAL - NOT FOR CONSTRUCTION